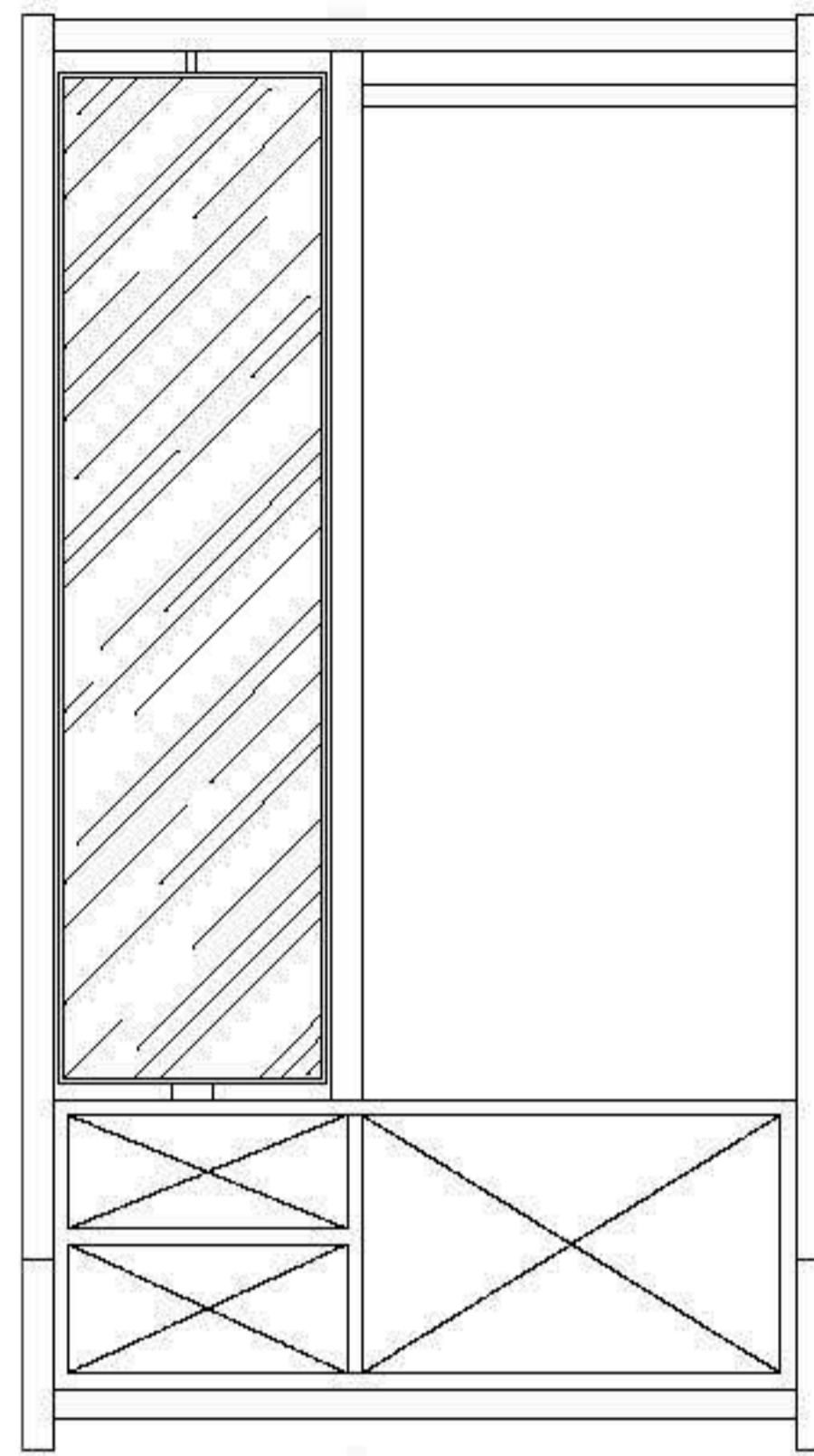
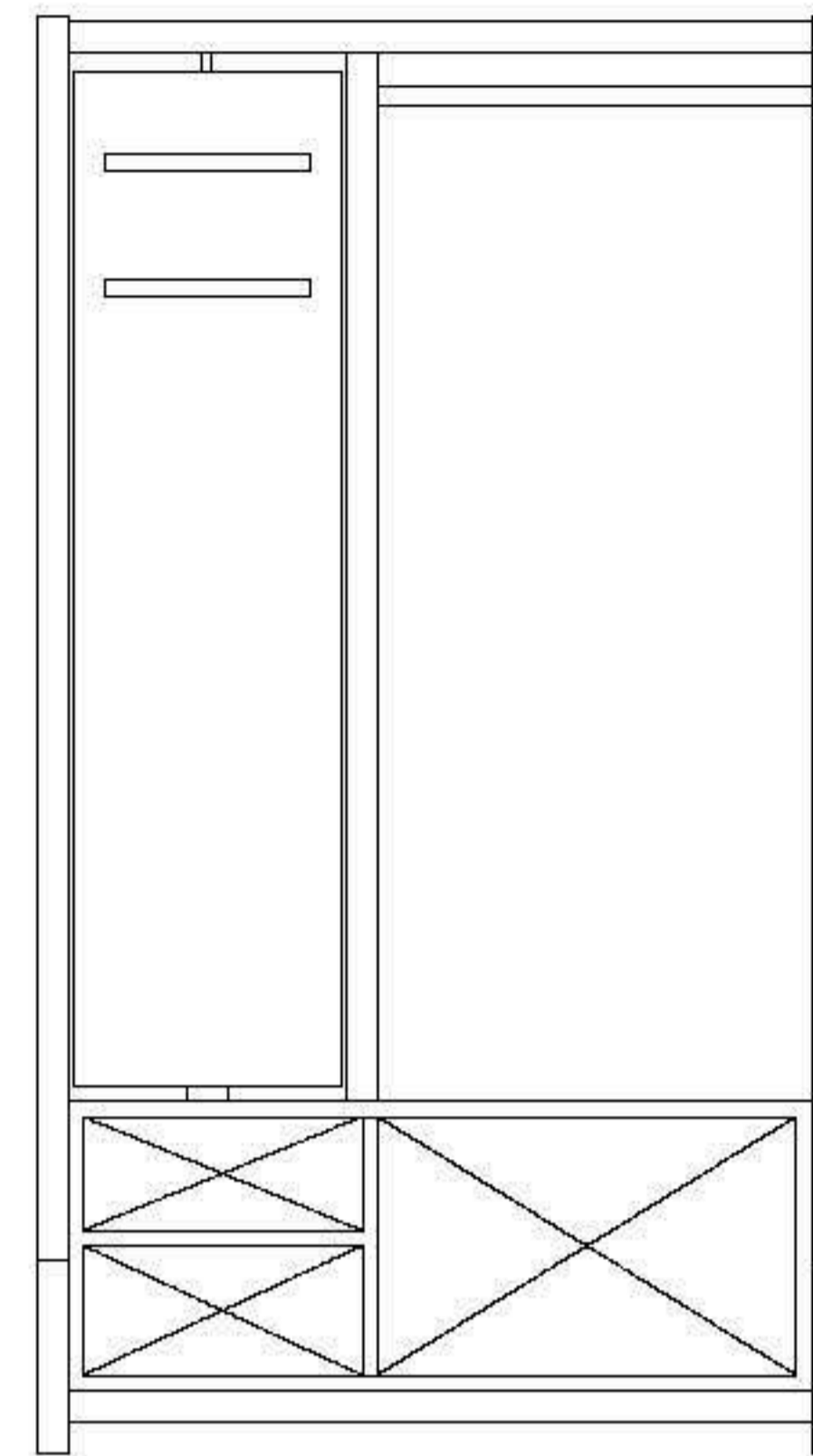


swivel panel
mirror view

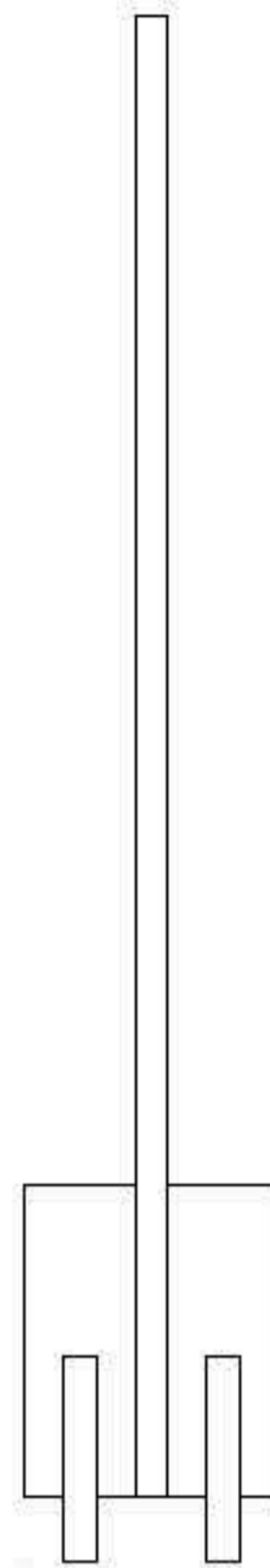


FV
H SKALA FRONT VIEW (MIRROR)

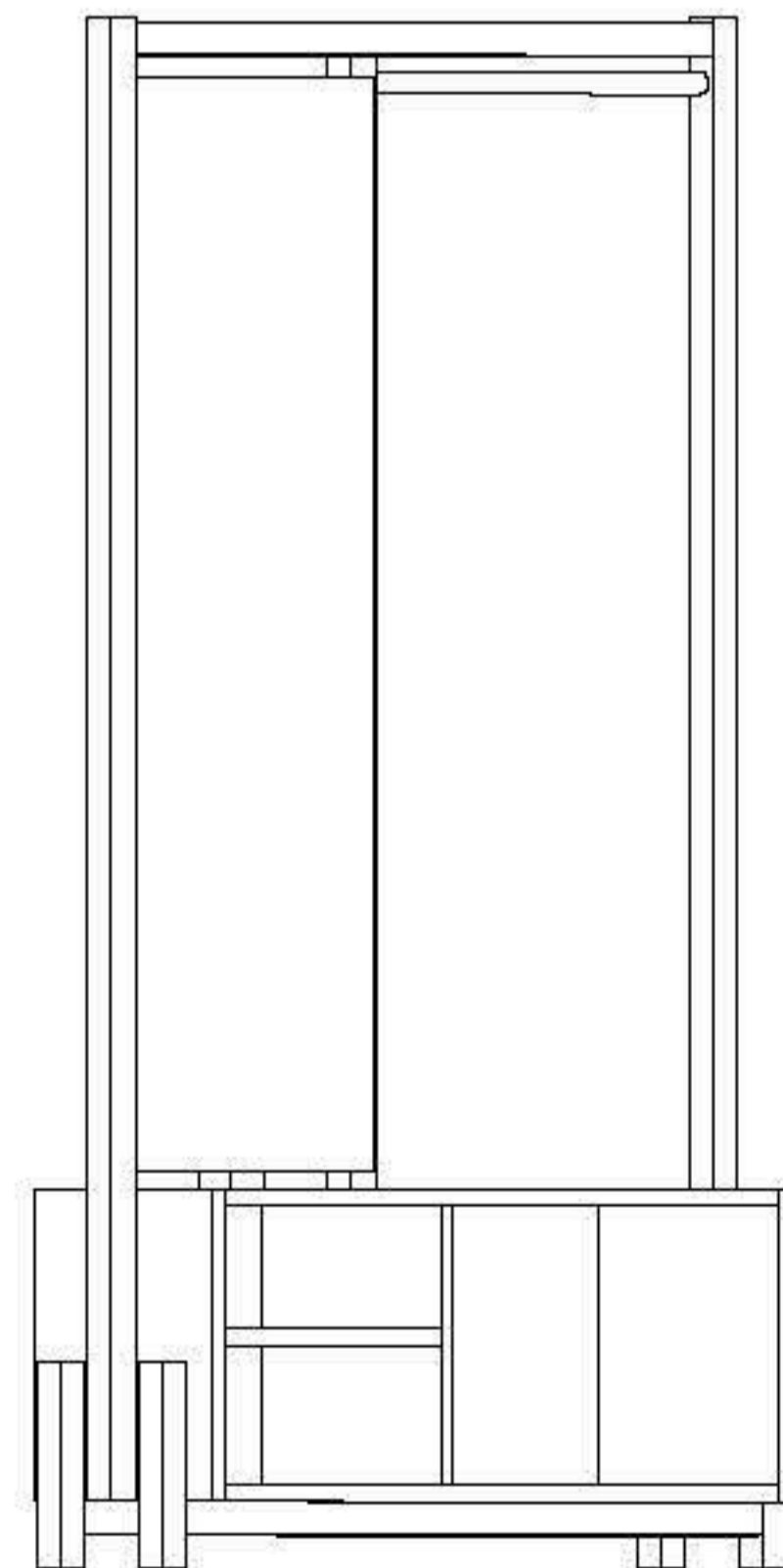
swivel panel
Shelving View



FV
H SKALA FRONT VIEW (SHELVING)



FV
H SKALA SIDE VIEW

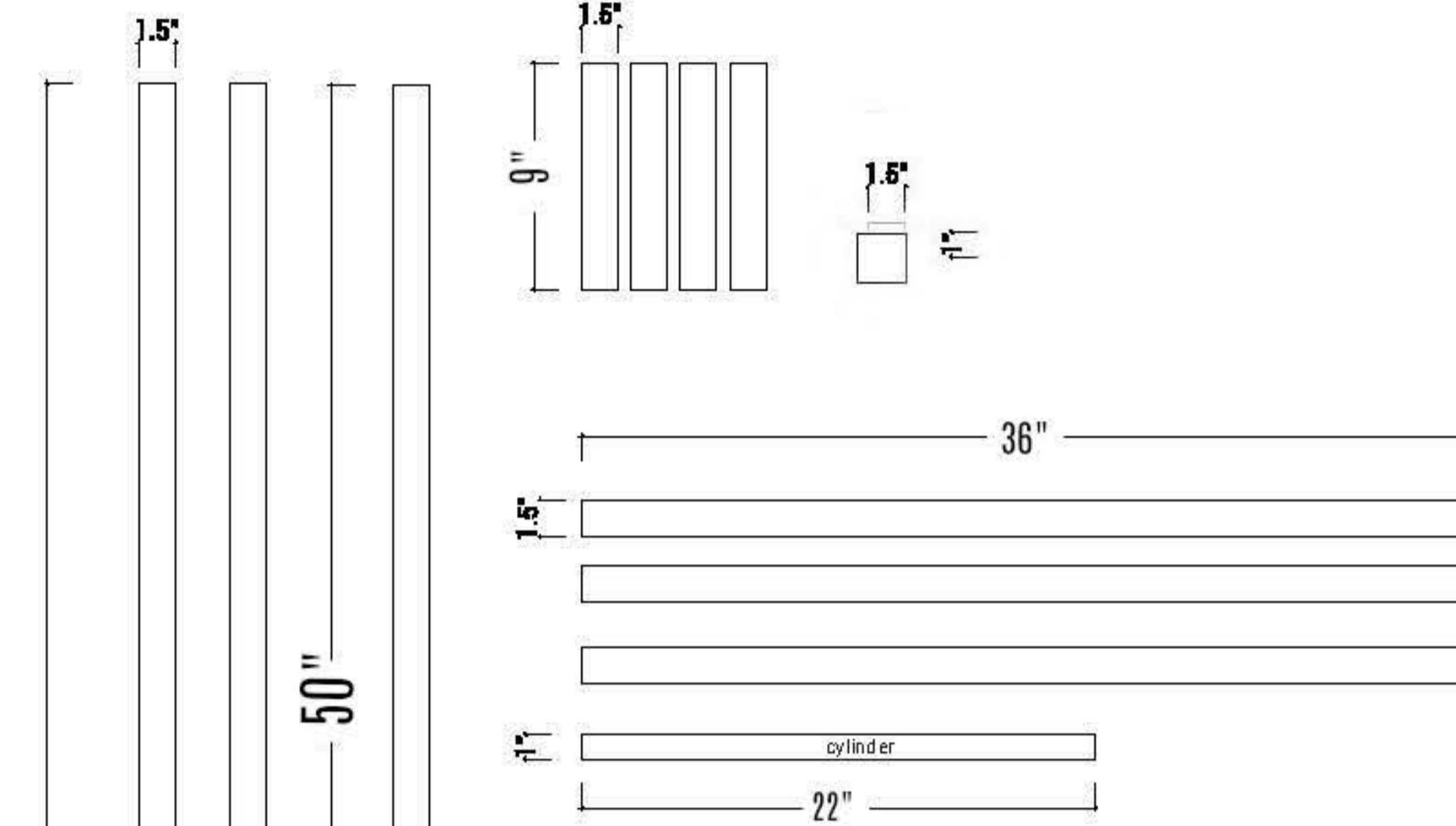


Stylish Minimalist Clothes Rack

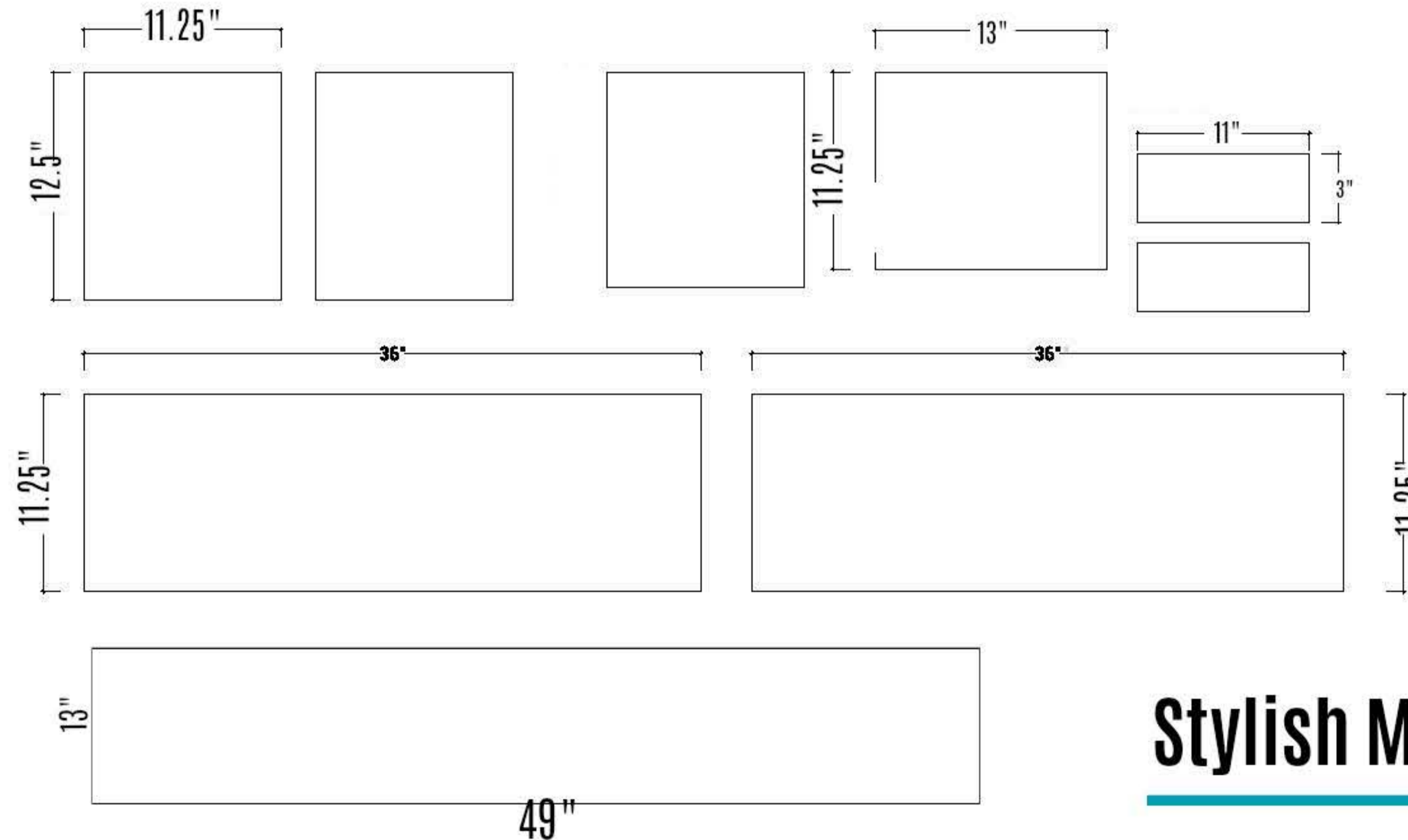
ToolboxDivas®

Material & Cut List

FRAME



BOX & PANEL



Materials

- 4 - 2x2x8 boards
- 1 - 3/4" 4x8 Sheet of Plywood
- 3/8" wooden dowels
- 1"x 36" round dowel
- 2" pocket screws

Cut List

2x2:

- 2 @ 66" (Side of frame)
- 1 @ 50" (Middle divide)
- 3 @ 36" (Base of the storage cabinet)
- 4 @ 9" (legs)
- 1 @ 1" (wooden nut for mirror console)

Plywood:

Storage Box

- 2 @ 11.25" x 36" (Top and Bottom)
- 3 @ 11.25" x 12.5" (Sides and middle divide)
- 1 @ 13" x 11.25" (Shelf)

Mirror Panel

- 1 @ 49" x 13"
- 2 @ 11" x 3" (Shelves)

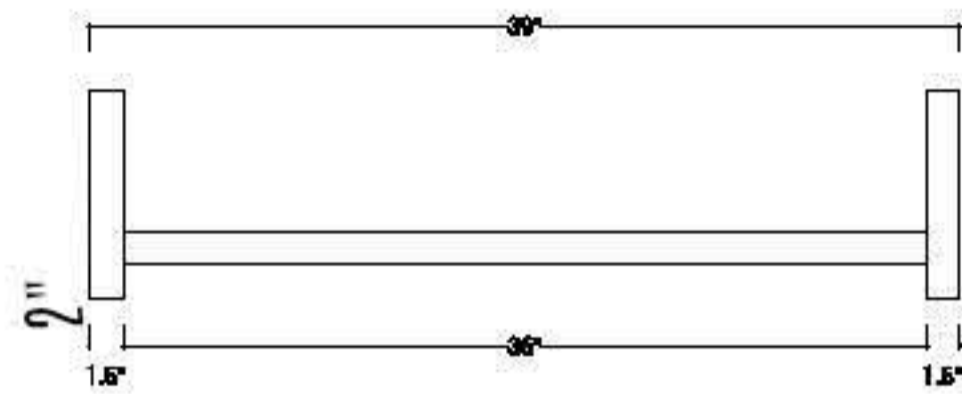
1" Round Dowel:

- 1 @ 22"

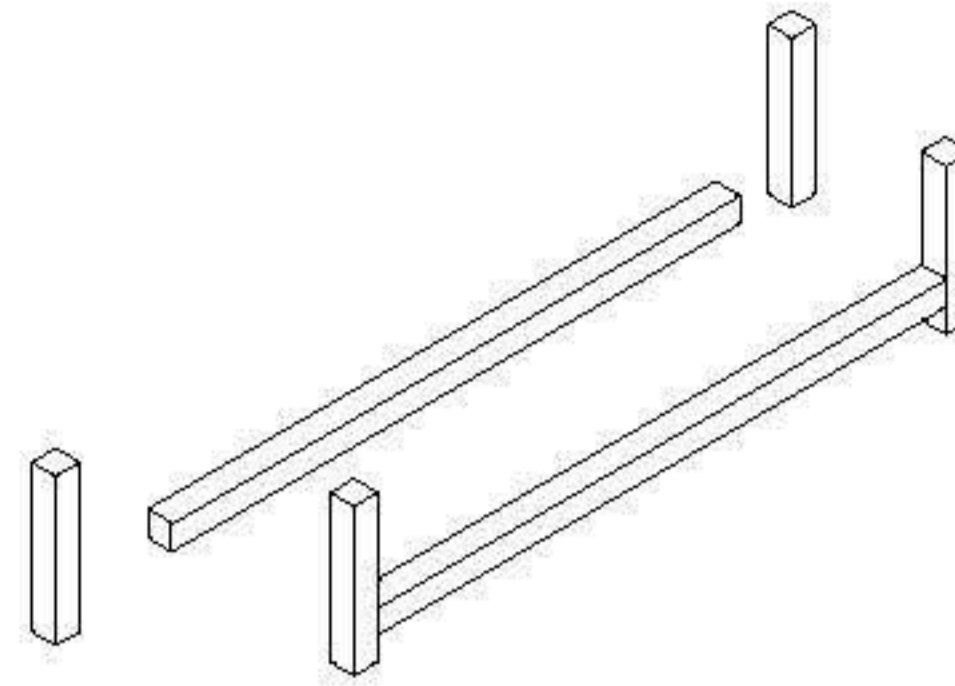
Stylish Minimalist Clothes Rack (Page 2)

Toolbox *Divas*

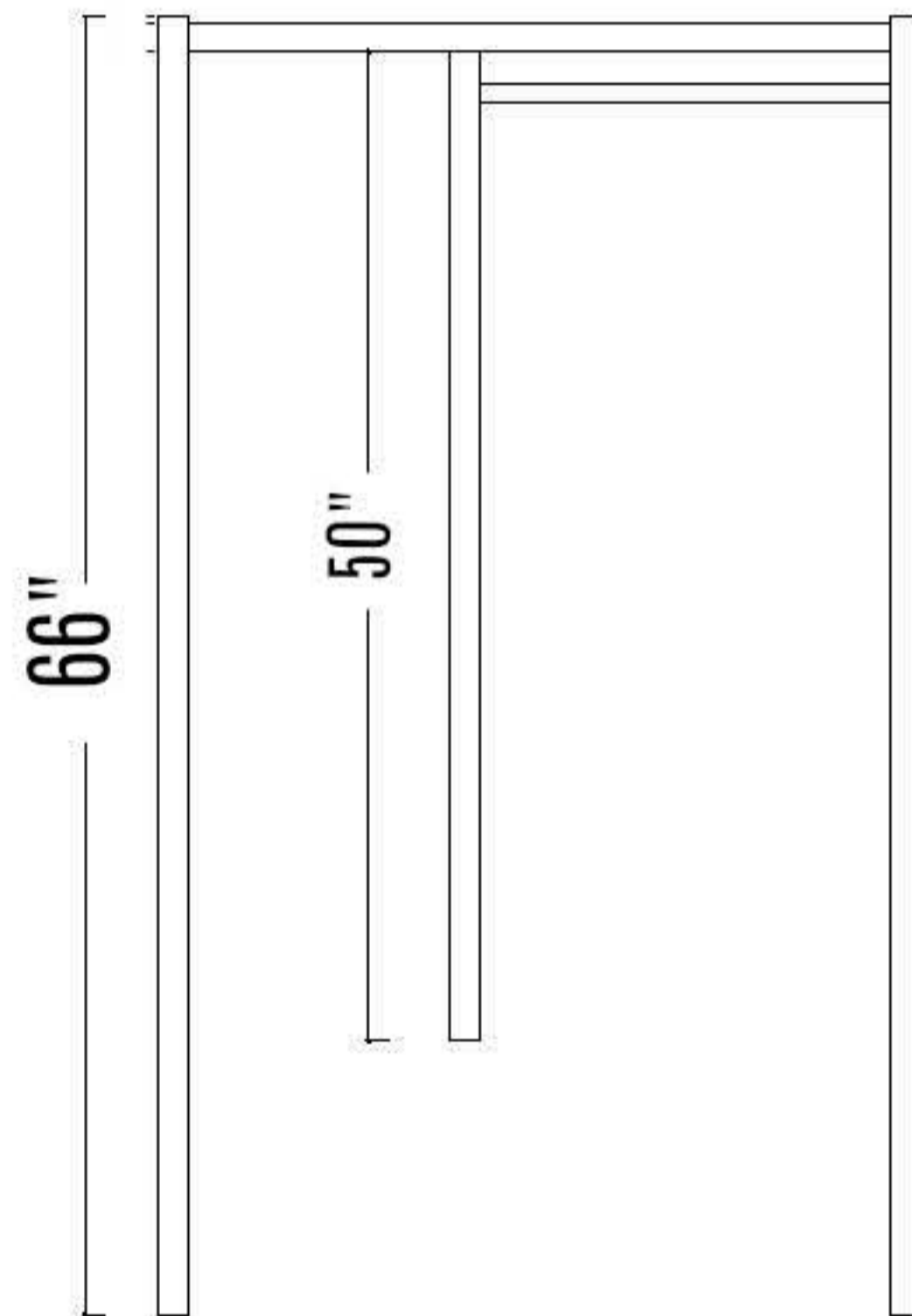
STEP 1 (FRAME ASSEMBLY)



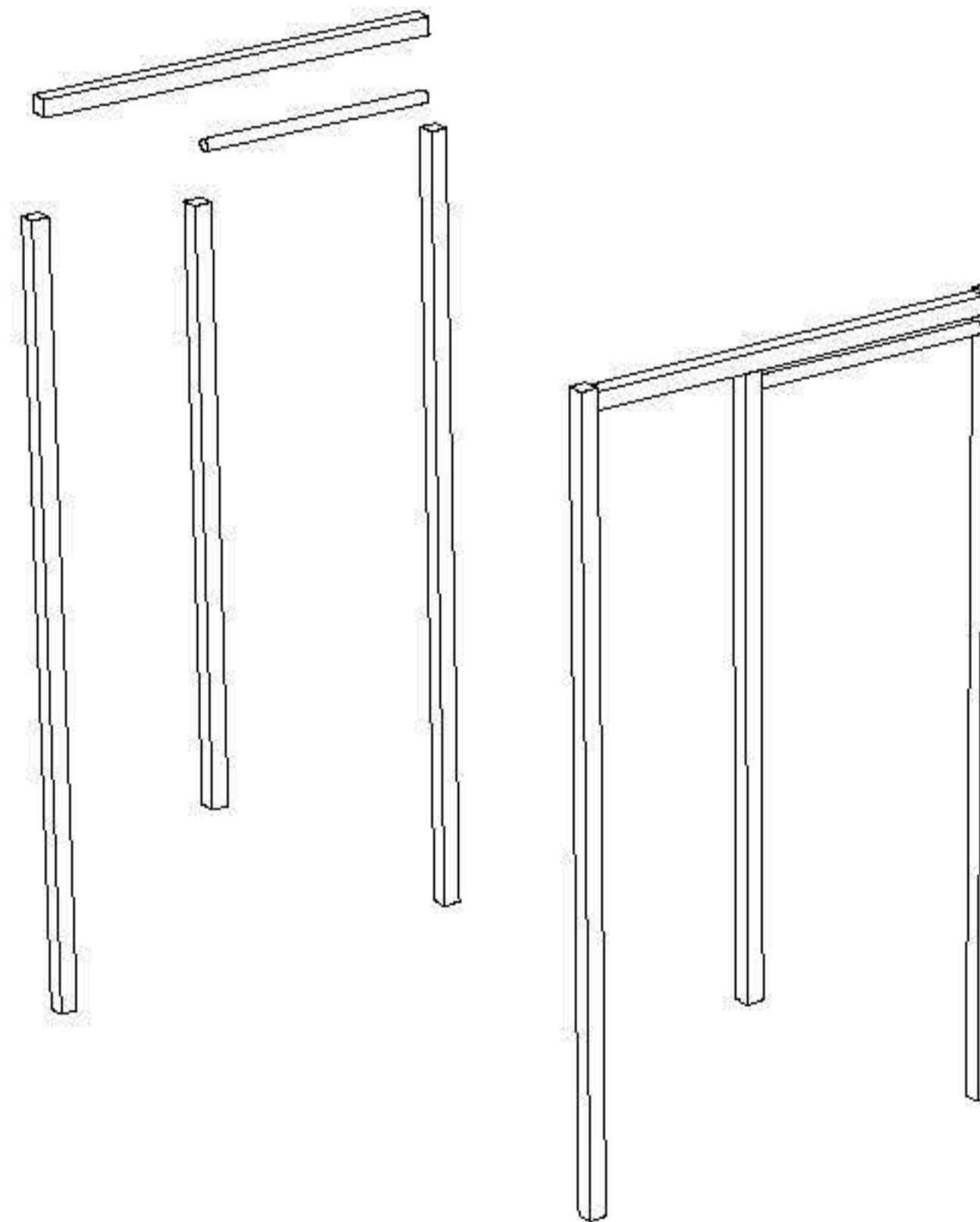
LEG



Assemble frame using the 2x2s for the legs using pocket screws. 36" pieces should be 2" from the bottom of the 9" legs.



FRAME

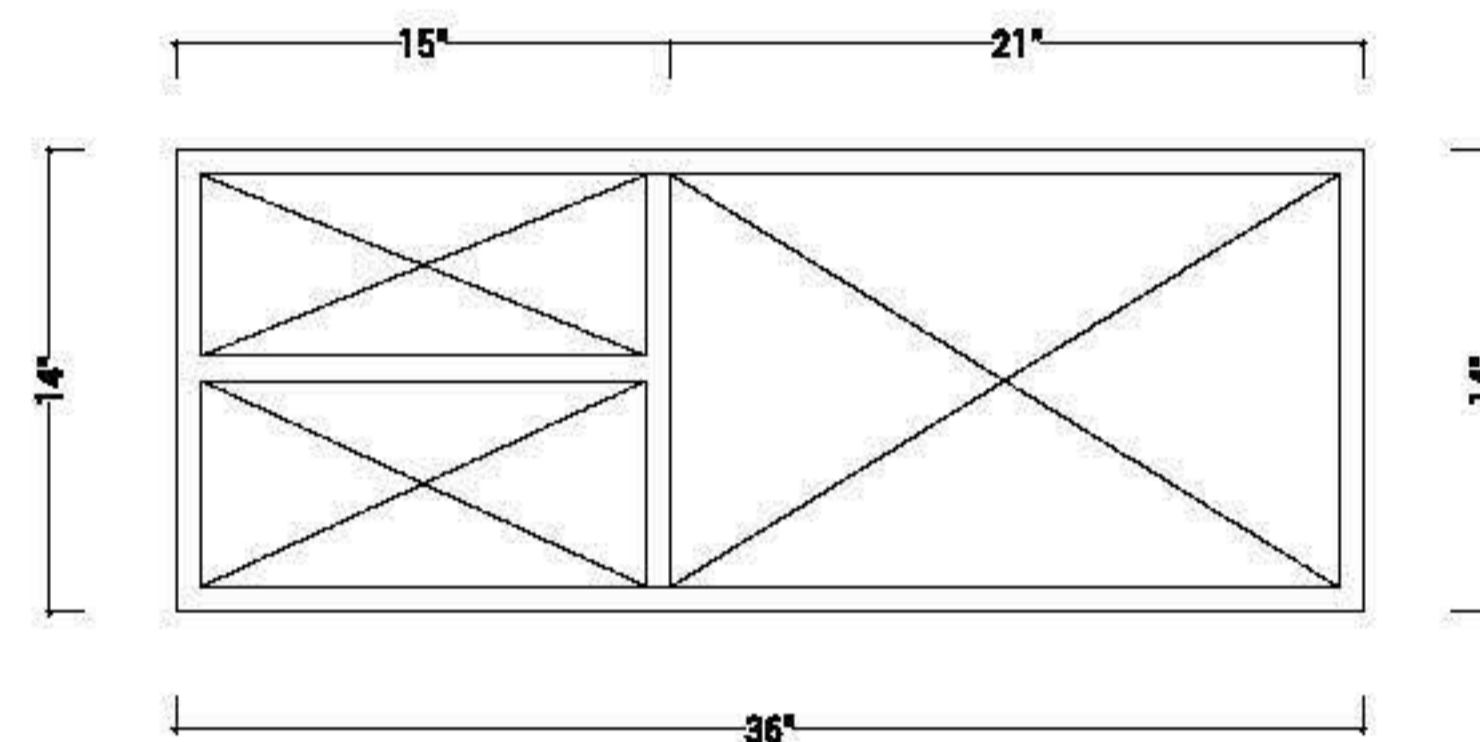


Assemble the frame for the clothes rod and mirror console. Drill into the middle divider 2x2 and side 1/2" with a 1" forstner bit. This will allow 1" of the dowel to be inserted. Secure with wood glue. The dowel should be at least 1.5" from the top of the frame to ensure hangers will fit.

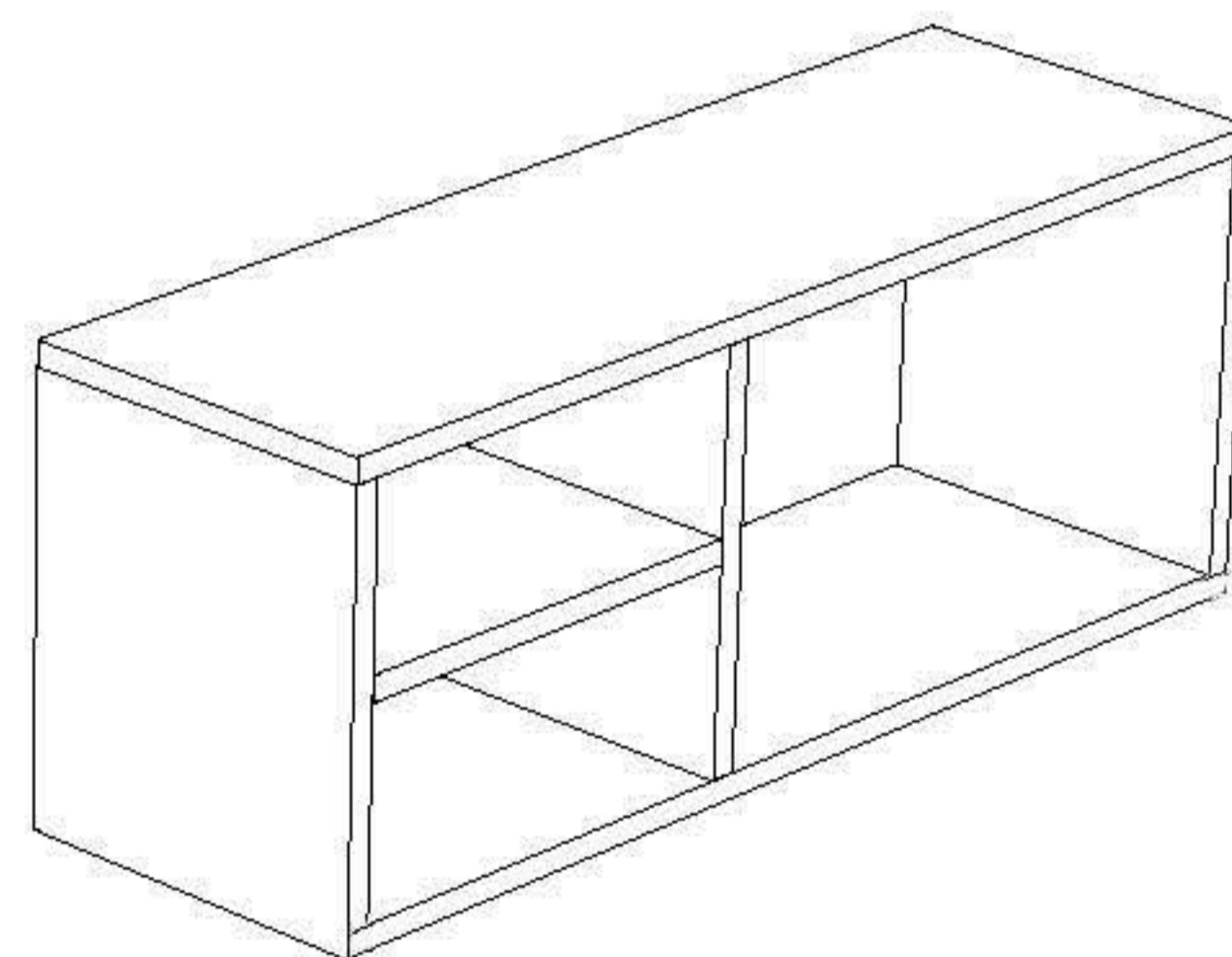
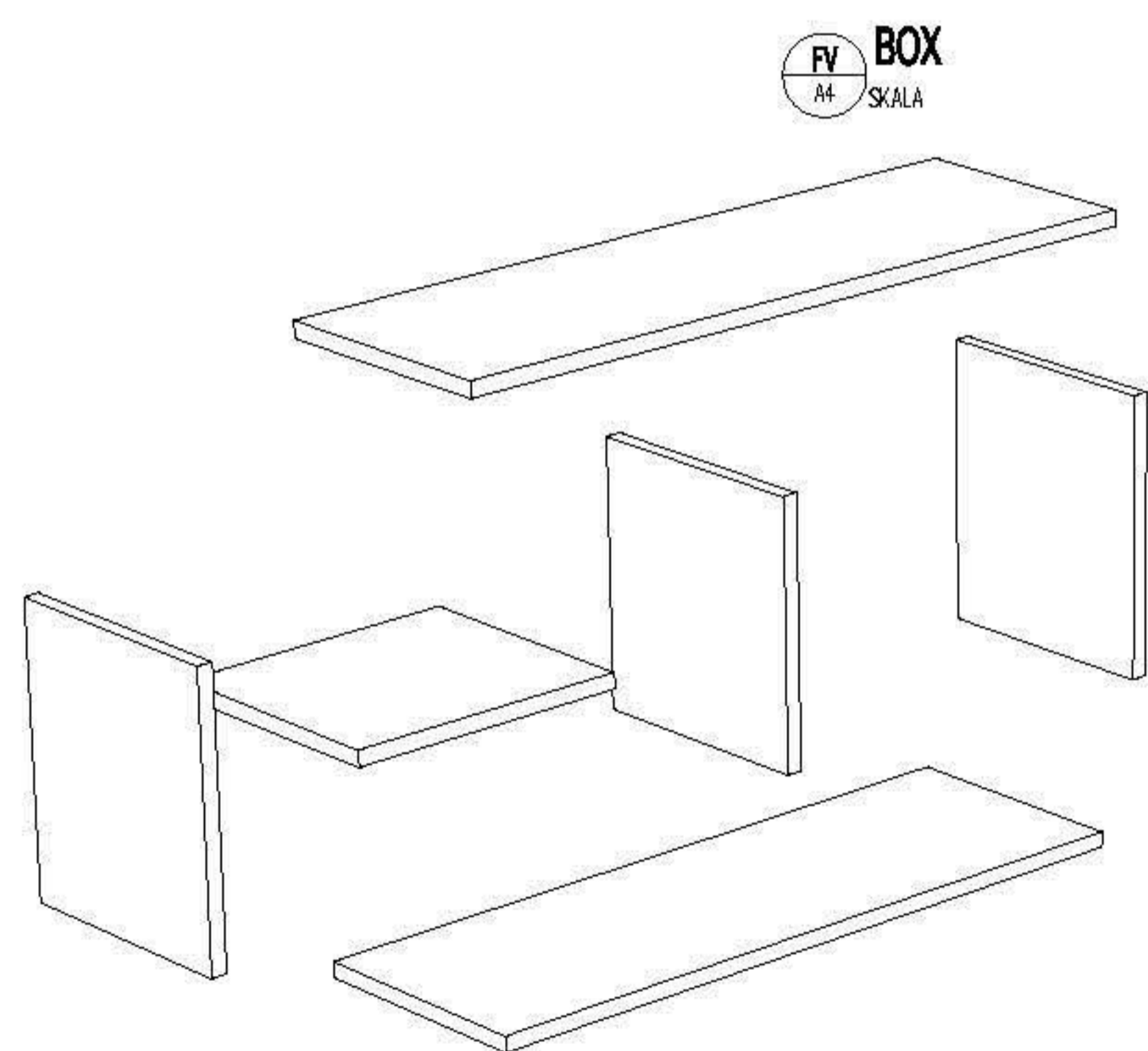
Stylish Minimalist Clothes Rack (Page 3)

ToolboxDivas®

STEP 2 Storage Cabinet Assembly



Assemble the storage cabinet using wooden dowels or pocket screws and wood glue.

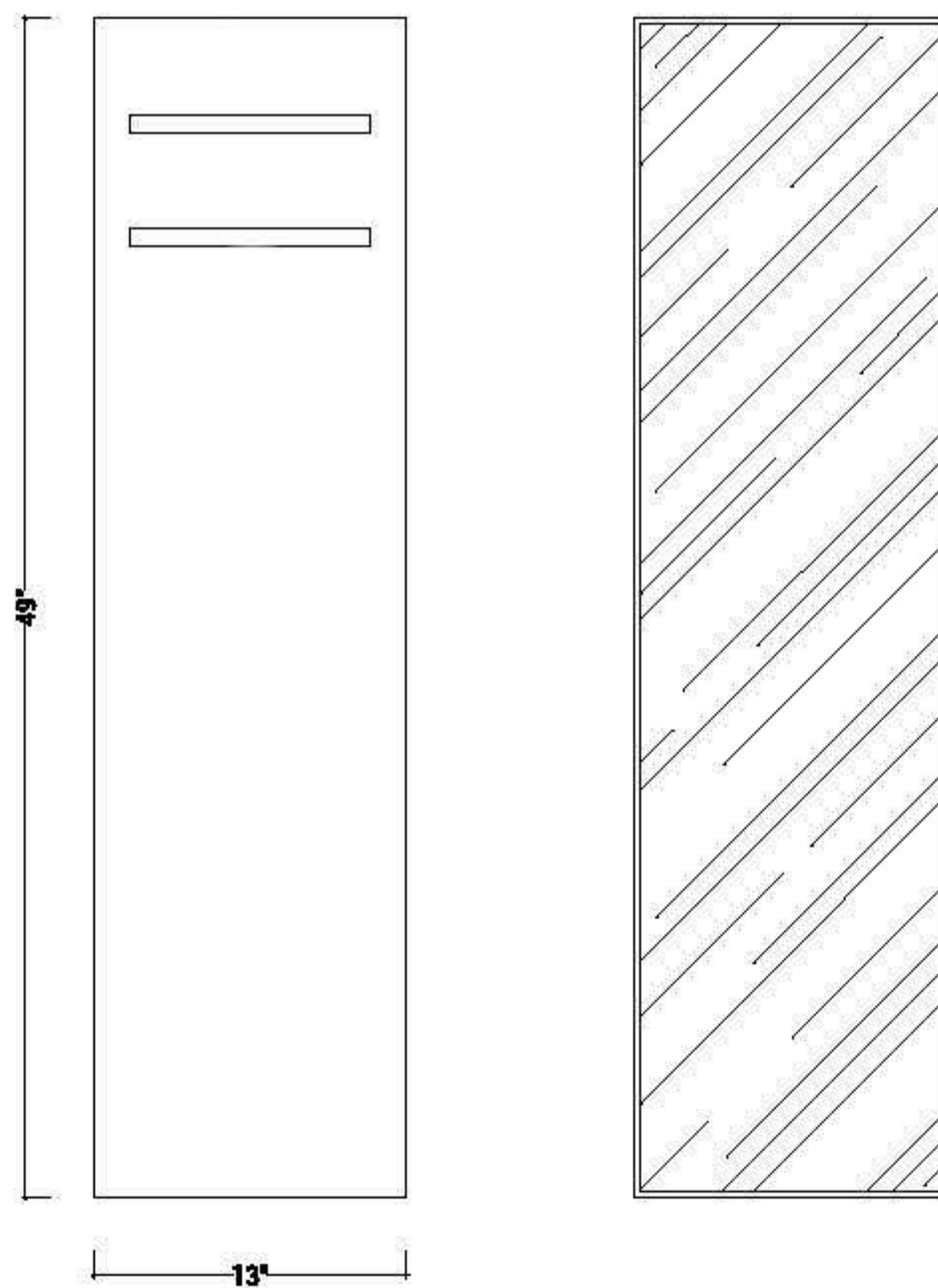


Stylish Minimalist Clothes Rack (Page 4)

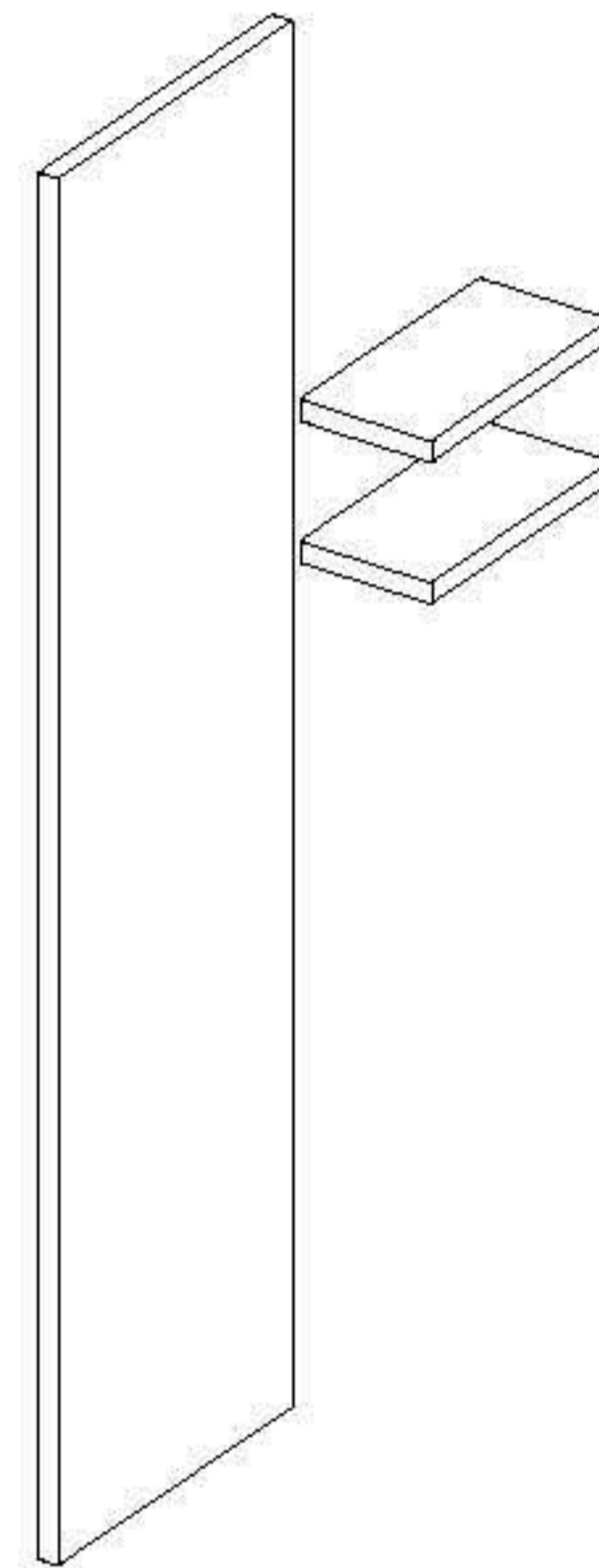
Toolbox Divas®

STEP 3 (PANEL ASSEMBLY)

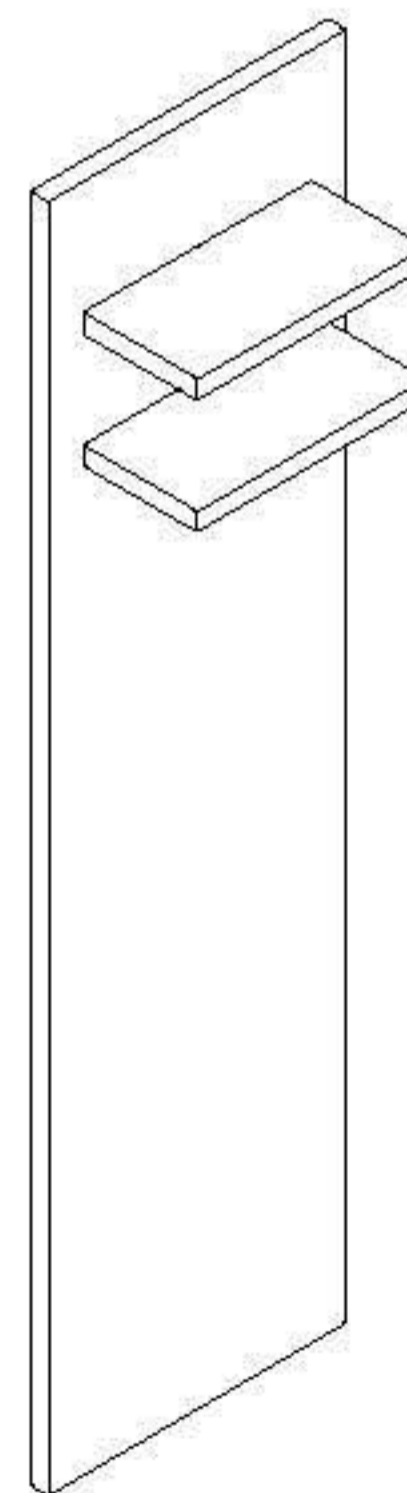
Assemble the mirror console by attaching the two 11" shelves first using wood glue or 4" spax screws or 1 1/4" pocket screws. I used 4" spax screws because it was easier for me to line it up and the long screws provided additional support for the shelves. Attach any additional hooks to hang scarves purses etc.



FV PANEL
A4 SKALA



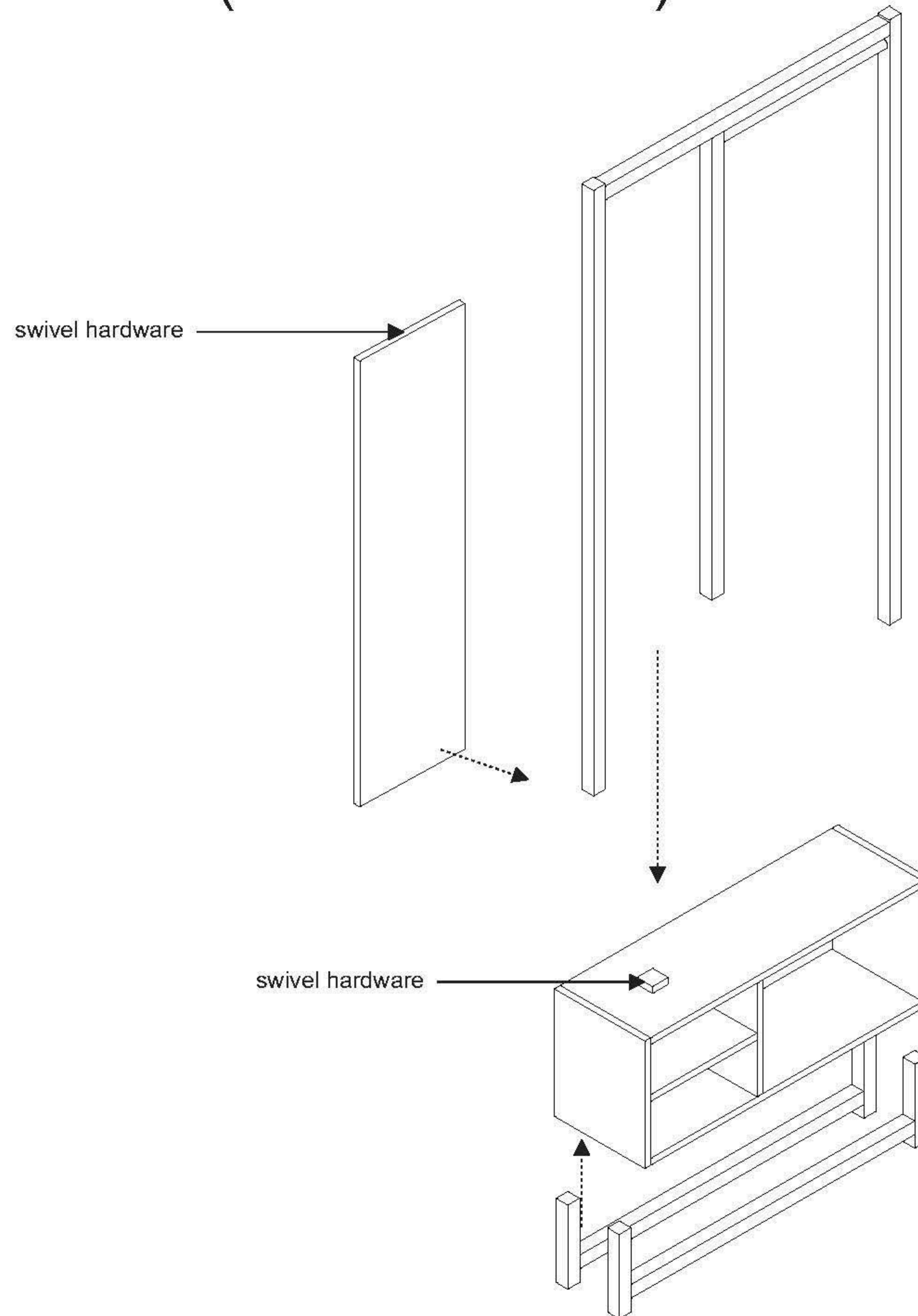
Next attach the mirror to the other side of the wood panel using mirror clips. I used a 12" x 48" door mirror found at Ikea.



Stylish Minimalist Clothes Rack (Page 5)

Toolbox Divas

FINAL STEP (ASSEMBLING)



Attach the storage cabinet to the leg frames using wood screws or wood dowels. The legs should be 1.5" from the front and back sides of the storage cabinet. Ensure that base is level.

Attach the top frame constructed out of 2x2s to the sides and middle. Measure to ensure the frame is centered down the middle of the storage cabinet.

To create the "swivel hardware" or wooden nut drill a hole in the center using a drill 3/8" drill bit. Insert a 3.8 wooden dowel at the top cut to 2.25" and 1.5" at the bottom. This will allow you to lift the mirror console in an out as needed.

Stylish Minimalist Clothes Rack (Page 6)

Toolbox *Divas*